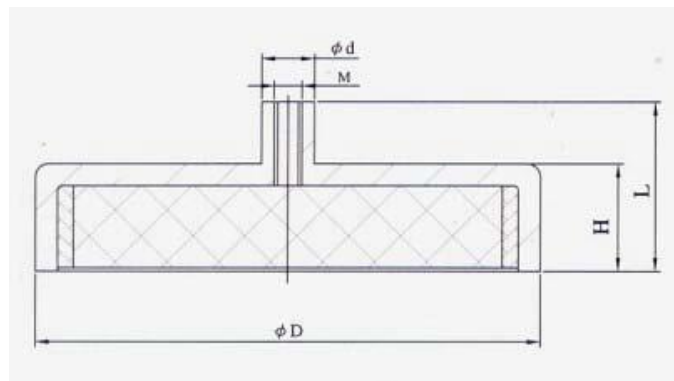


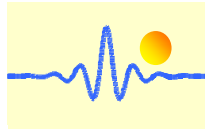
## Magnetic Assemblies

### CY-T and CY-TM Series, Ferrite, Plastics Injected, Zinc Plated

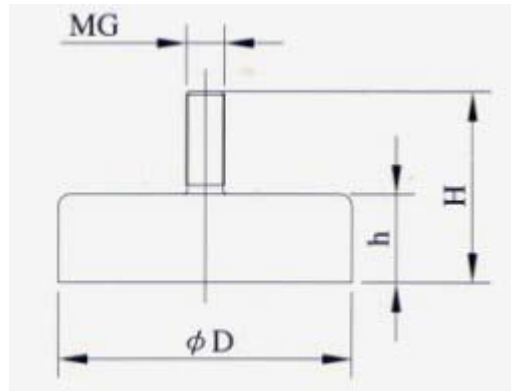
#### CY-T Series



Type	Dimensions (mm)					Weight (g)	Adhesive Force (N)
	$\phi D$	H	L	$\phi d$	MG		
CY-T16	16	4.5	11.5	6	M3	6	15
CY-T20	20	6	13	6	M3	11	22
CY-T25	25	7	15	8	M4	22	40
CY-T32	32	7	15	8	M4	32	80
CY-T36	36	7.7	16	8	M4	46	100
CY-T40	40	8	16.5	8	M4	58	125
CY-T40B	40	8	18	10	M5	58	125
CY-T47	47	9	17	8	M4	88	180
CY-T50	50	10	18.5	8	M4	108	220
CY-T50B	50	10	22	12	M6	108	220
CY-T57	57	10.5	18.5	8	M4	148	280
CY-T63	63	14	30	15	M8	240	350
CY-T80	80	18	34	20	M10	520	600
CY-T100	100	22	43	22	M12	940	900



### CY-TM Series



Type	Dimensions (mm)				Weight (g)	Adhesive Force (N)
	ØD	H	h	MG		
CY-TM10	10	11.5	4.5	M3	3	4
CY-TM13	13	11.5	4.5	M3	5	10
CY-TM16	16	11.5	4.5	M3	6	15
CY-TM20	20	13	6	M3	11	22
CY-TM25	25	15	7	M4	22	40
CY-TM32	32	15	7	M4	32	80