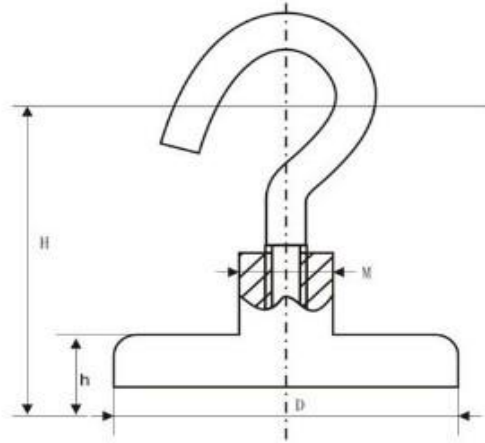


Magnetic Assemblies

CY-NE Series, NdFeB, Plastics Injected, Zinc or Nickel Plated



Type	Dimensions (mm)				Weight (g)	Adhesive Force (kg)
	ØD	M	H	h		
CY-NE16	16	4	14	5	11	5.5
CY-NE20	20	4	14	7	21	9
CY-NE25	25	5	15	8	37	22
CY-NE32	32	6	16	8	56	34
CY-NE36	36	6	16	8	68	41
CY-NE42	42	6	16	9	97	68
CY-NE48	48	8	23	11.5	154	81
CY-NE60	60	8	23	15	282	113
CY-NE75	75	10	25	18	560	164