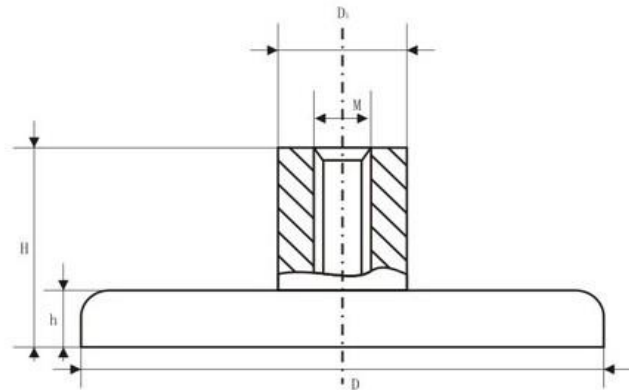


Magnetic Assemblies

CY-ND Series, NdFeB, Plastics Injected, Zinc or Nickel Plated



Type	Dimensions (mm)					Weight (g)	Adhesive Force (kg)
	$\varnothing D$	$\varnothing D_1$	M	H	h		
CY-ND16	16	6	4	13	5	8	5.5
CY-ND20	20	8	4	15	7	17	9
CY-ND25	25	10	5	17	8	32	22
CY-ND32	32	10	6	18	8	47	34
CY-ND36	36	10	6	18	8	59	41
CY-ND42	42	12	6	20	9	87	68
CY-ND48	48	12	8	24	11.5	132	81
CY-ND60	60	14	8	30	15	270	113
CY-ND75	75	16	10	34	18	552	164