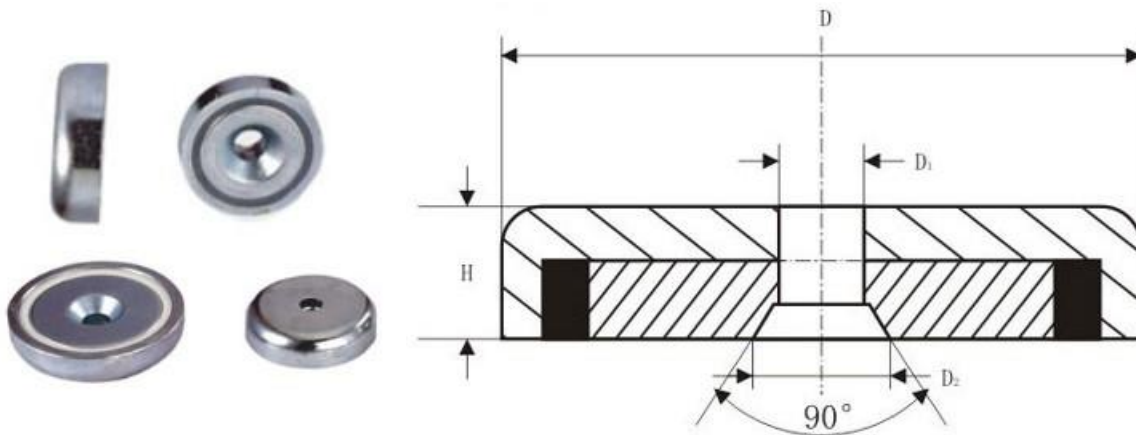


Magnetic Assemblies

CY-NA Series, NdFeB, Plastics Injected, Zinc or Nickel Plated



Type	Dimensions (mm)				Weight (g)	Adhesive Force (kg)
	ØD	Ød1	Ød2	H		
CY-NA16	16	3.5	6.5	5	7	4.5
CY-NA20	20	4.5	8.6	7	13	6
CY-NA25	25	5.5	10.4	8	23	14
CY-NA32	32	5.5	10.4	8	39	25
CY-NA36	36	6.5	12	9	52	29
CY-NA42	42	6.5	12	9	76	37
CY-NA48	48	8.5	16	11.5	120	68
CY-NA60	60	8.5	16	15	252	112
CY-NA75	75	10.5	19	18	488	162