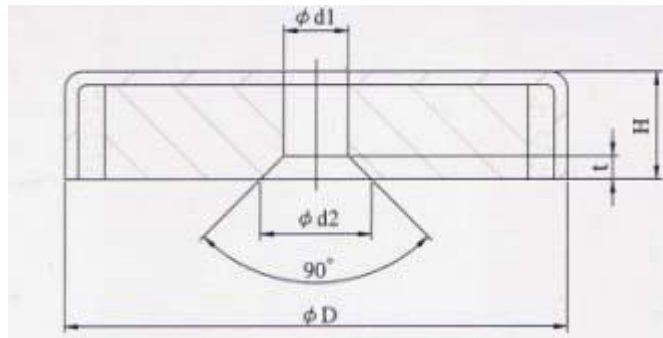


Magnetic Assemblies

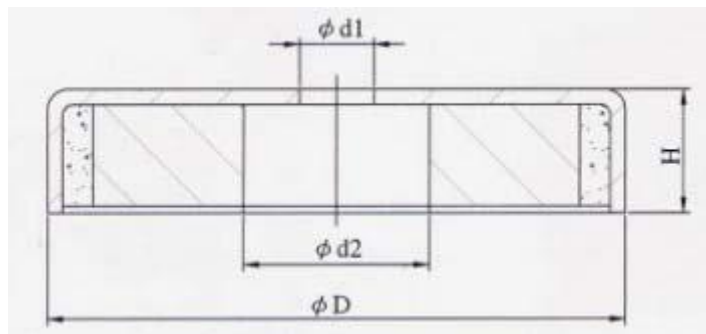
CY-F and CY-R Series, Ferrite, Plastics Injected, Zinc Plated

CY-F Series



Type	Dimensions (mm)					Weight (g)	Adhesive Force (N)
	ϕD	H	$\phi d1$	$\phi d2$	t		
CY-F16	16	4.5	3.5	6.7	1.6	4.0	10
CY-F20	20	6	4.2	8.6	2.1	9	27
CY-F25	25	7	5.5	10.4	2.5	16	36
CY-F32	32	7	5.5	10.4	2.5	28	72
CY-F40	40	8	5.5	10.4	2.5	54	90

CY-R Series



Type	Dimensions (mm)				Weight (g)	Adhesive Force (N)
	ϕD	H	$\phi d1$	$\phi d2$		
CY-R40	40	8	8.5	18	55	90
CY-R50	50	10	8.5	22	90	180
CY-R63	63	14	6.5	24	195	290
CY-R80	80	18	6.5	11.5	480	540
CY-R100	100	22	10.5	34	820	680